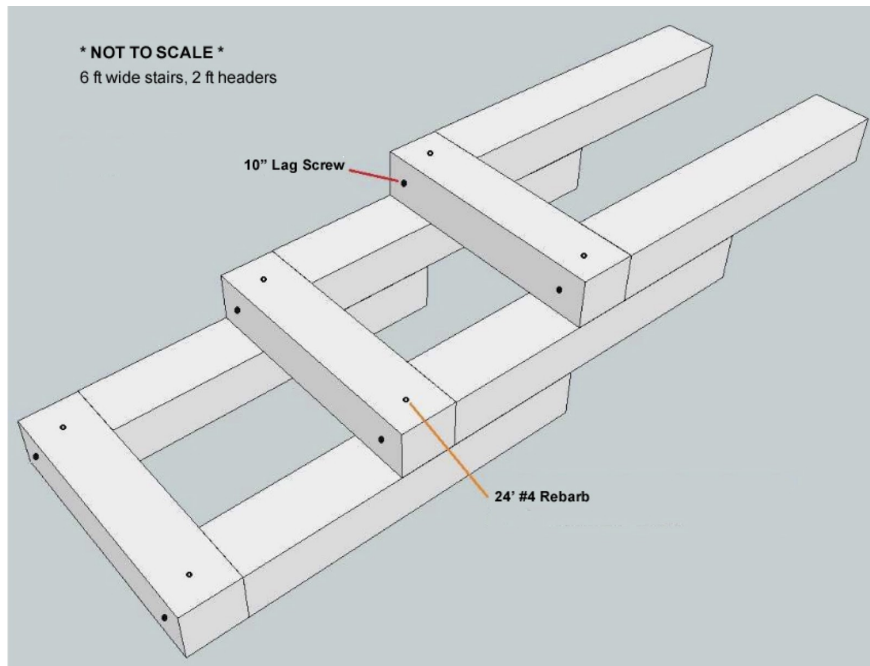
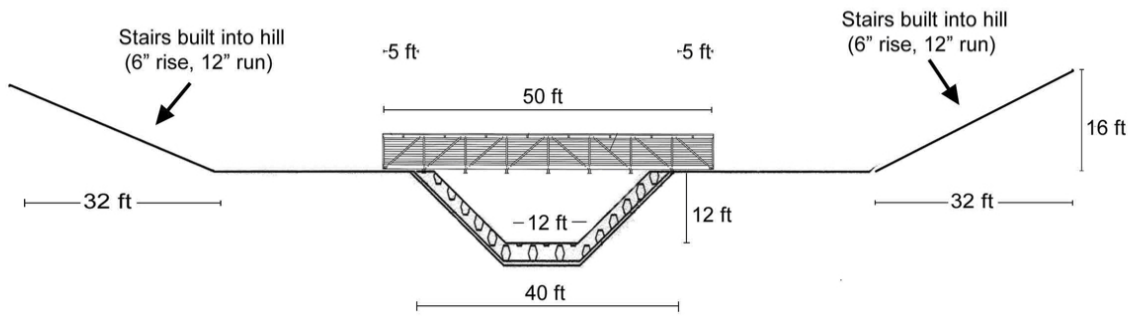


Additional information for Footbridge installation - for 3rd Street & Glen Providence Park
As supplement to May 3 preliminary proposal to Delaware County Council
May 15, 2017

Updates to proposal:

- Possible increase in footbridge length from 40' to 50', to allow for variation in width of rip-rap channel and soil conditions at the edges. Bridge only comes in 5' increments. Would increase estimate from \$26,250 to \$33,900.
- Width of stream at intended relocation site in Glen Providence Park is 25' between streambanks.
- The DEP is scheduled to start today, and Roger Adams indicated that 60 days (which would be July 14) is the maximum time the dam removal should take - it could be completed by the end of June.
- Manufacturer's lead-times after receiving our approved drawings are approximately 3 to 4 weeks, but the written estimate indicates it will take up to 60 days from the date of order.
- Media Borough Council is aware of our proposal, and does not anticipate needing to approve the project.
- Manufacturer's assembly notes and drawings, and estimate for 50' bridge, are attached.

ELEVATION: 50 ft Pedestrian Bridge and Accompanying Stairs



Additional information for Footbridge installation - for 3rd Street & Glen Providence Park
 As supplement to May 3 preliminary proposal to Delaware County Council
 May 15, 2017

Stairs specifications:

- 32 risers on either side
- Each rise is 6" (so 32 x 6"= 16 ft total), and each tread (the depth of the stair) 12"
- 6 ft wide, to give space for 2 people to pass each other when crossing

Estimated costs of installation, based on Home Depot pricing:

MATERIALS COST			
Stairs (6" rise, 12" run)			
Item	Amount	Unit Cost	Total Cost
6 in. x 6 in. x 10 ft. Pressure-Treated Pine Lumber	64	\$28.27	\$1,809.28
24" #4 Rebar	128	\$1.80	\$230.40
10" Lag Screw	128	\$1.93	\$247.04
8 Cu. Yards Gravel		\$533.60	\$533.60
			\$2,820.32
Concrete Footers (bridge)			
Concrete (cu. yard)	4	\$100	\$400.00
		Total Materials	\$3,220.32
INSTALLATION (Labor)			
Supervisor			\$1,500.00
Hired Help			\$1,200.00
		Total Labor	\$2,700.00
		TOTAL INSTALLATION	\$5,920.32

Information needed by the DEP to approve the project, which should be submitted by Delaware County, but which our community coalition can help prepare:

- A diagram showing that this will not impact the rip-rap channel
- A description of how the bridge will be anchored on each side, and the dimensions of the footers, etc.
- A description of whether the floodplain or any fill will be impacted
- An engineer's seal on the drawings